

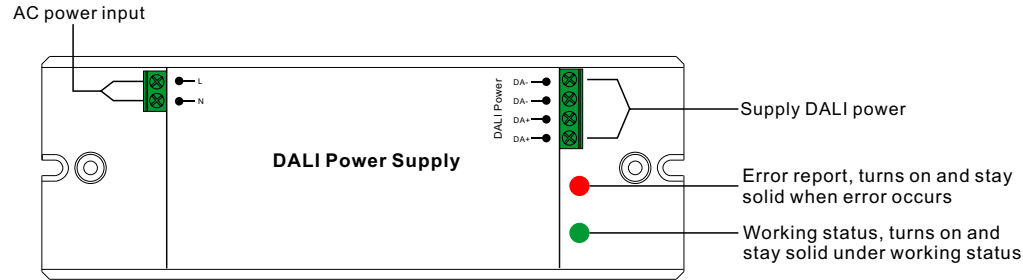
DALI Power Supply

09.240PE.04320



Important: Read All Instructions Prior to Installation

Function introduction



Product Data

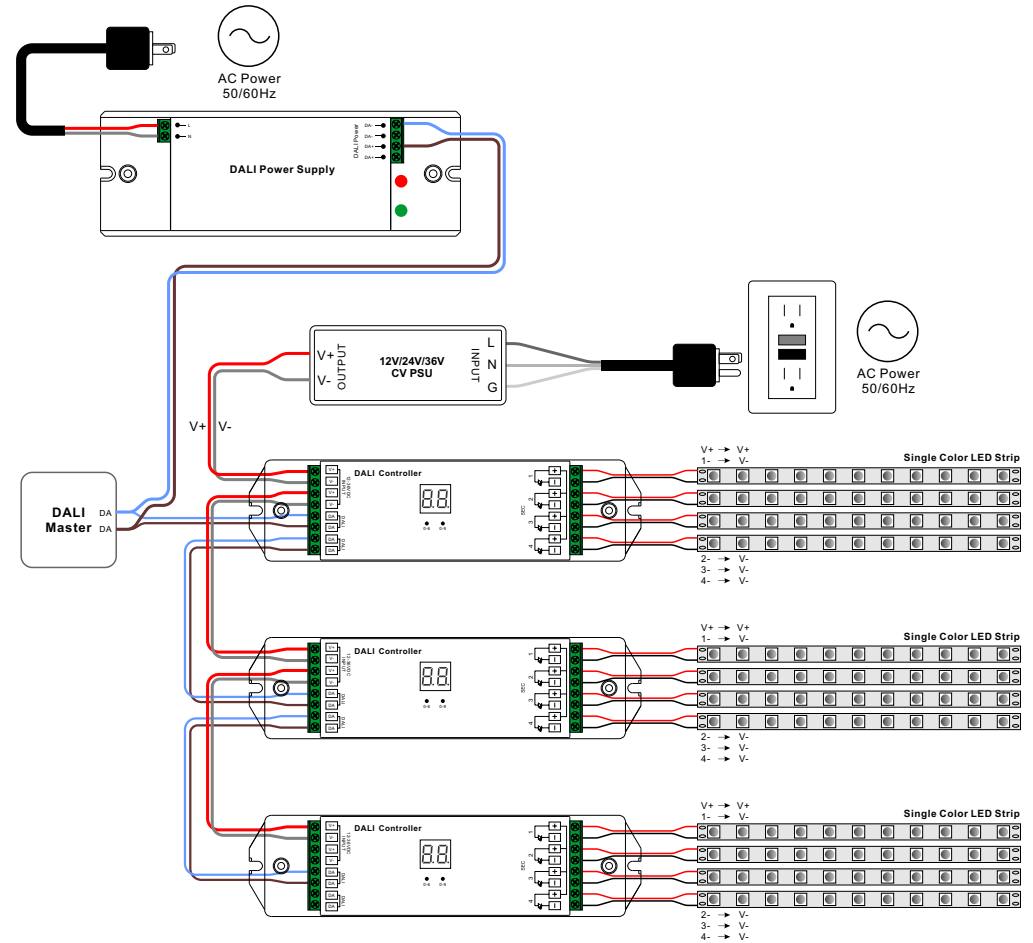
Input Voltage	Input Current	Output Voltage	Output Current	Size(LxWxH)
100-240VAC	300mA max	16VDC	250mA max	170x59x29mm

- Match all DALI system in the market
- DALI bus power supply
- Waterproof grade: IP20

Safety & Warnings

- DO NOT install with power applied to device.
- DO NOT expose the device to moisture.

Wiring Diagram



Product Dimension

